

# specifications

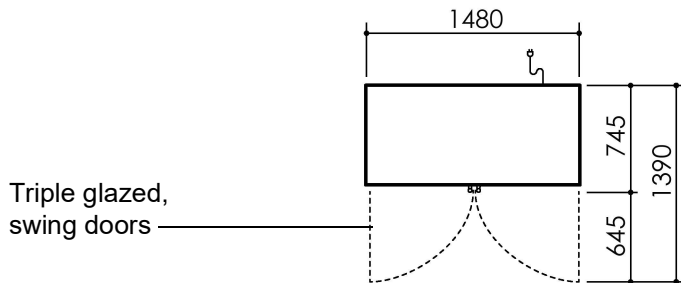
## VF1300X

Top Mount, 2 Door (Glass), Vertical Freezer

### CABINET DIMENSIONS

	External	Internal
<b>Height:</b>	2210mm	1570mm
<b>Width:</b>	1480mm	1380mm
<b>Depth:</b>	745mm	554mm
<b>Floor area:</b>	1.05m <sup>2</sup>	
<b>Gross volume</b>	1310L	

\* Excludes removable door handle and lock bracket  
\*\* Includes freezer unit lid

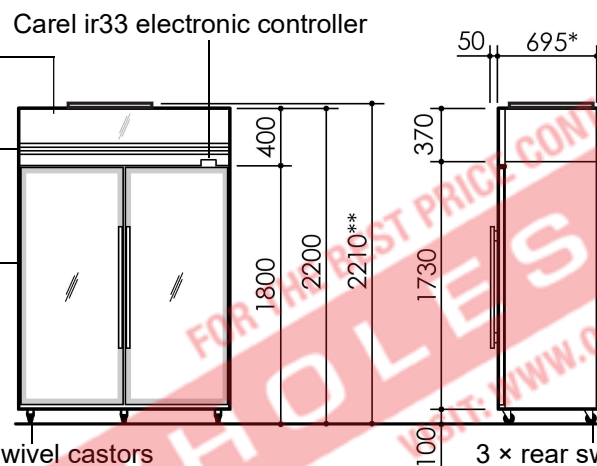


Triple glazed, swing doors

Optional illuminated sign panel (240mm high)      Carel ir33 electronic controller

Optional condenser filter

LED pillar lights



3 × lockable front swivel castors

3 × rear swivel castors

#### Dimensional tolerances

Before installing this cabinet allow the following dimensional tolerances:

Linear dimensions	Overall cabinet dimensions
Less than 1 metre	±5mm
More than 1 metre	-5mm to +10mm

#### Length of multiple cabinets

At each joint	At each end wall
±5mm	+15mm
-5mm to +10mm	+15mm

Power cord

### GENERAL SPECIFICATIONS

<b>Doors</b>	2 × self-closing, triple glazed, heated, argon filled, toughened safety glass swing door (hinged LH, RH)
<b>Weight</b>	347 kg
<b>Shelves</b>	10 × adjustable height wire shelves: 677mm wide × 460mm deep
<b>Sign</b>	Replacement sign panel. Optional lit sign available with 1 × 20 Watt 1200mm T8 LED tube
<b>Electrical safety climate class</b>	5
<b>Internal lighting</b>	2 × 20 Watt 1400mm LED strip pillar lights
<b>Power supply</b>	220-240 Volts a.c. 50 Hz, single phase supply. Supplied with 10 Amp 3-Pin plug
<b>Current draw</b>	9.0 Amps.
<b>Temperature range</b>	-18°C to -21°C
<b>GEMS class</b>	L1
<b>GEMS energy consumption</b>	29.82 kWh/24h
<b>GEMS annual running cost</b>	\$3,267 p.a. (@ \$0.30/kWh)
<b>Refrigeration system</b>	Top mounted SKOPE Cyclone freezer unit with electronic controller (UF50ACD) (7.8 Amps)
<b>Refrigerant</b>	R452A / 1000g
<b>Nominal capacity</b>	1097 Watts @ -30°C evaporator, 50°C condenser
<b>Electronic controller</b>	CAREL ir33 electronic controller
<b>Drainage</b>	No plumbing required

