



**PRODUCT ADVANTAGES**

- Operator safety, durability and sanitation
- 0.37kW (1/2 h.p.) knife drive motor - better with cheese
- Gauge plate (slice thickness) interlock - no exposed knife when carriage is removed
- Permanently mounted knife ring guard - maximum safety when cleaning
- Large product tray - slices items up to 273mm in length and 187mm in diameter
- Maximum slice thickness - 14mm
- Carriage system easily removed for cleaning
- Long life Borazon sharpening and truing stone - easily removed and dishwasher safe
- Sanitary anodized aluminium base, carriage and knife cover
- Removable large under knife deflector
- Ergonomically mounted meat grip handle
- Borazon stone long life sharpening attachment
- Sanitary & heavy-duty stainless steel gauge plate, carriage face plate and knife cover
- Sanitary anodized aluminium base
- Permanently mounted knife ring guard - maximum safety when cleaning
- Low fence as standard
- Optional accessory - food chute

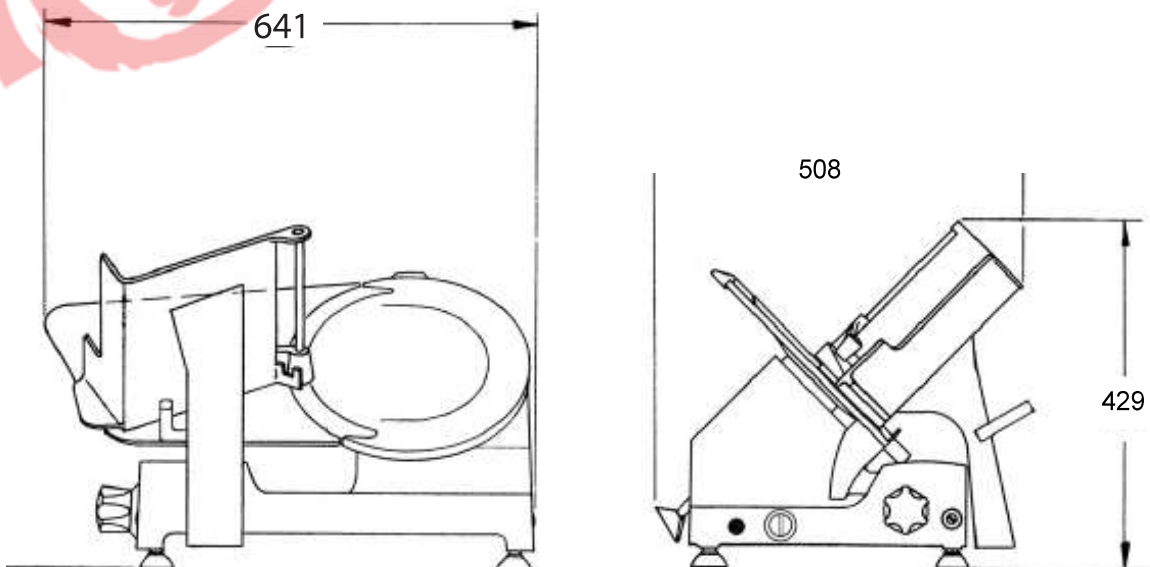
**TECHNICAL DATA**

Knife Size	305 mm
Speeds	Single speed
Maximum Cut Thickness	14 mm
Carriage Capacity	273mm wide / 194mm diameter
Safety	Knife ring guard
	Gauge plate interlock
	Carriage interlock
	Blade shield when sharpener removed
Drive Mechanism	Poly V Belt
Motor Size	0.37 kW
Shipping Weight	35 kg

**CONNECTIONS**

Power Supply	240/50/1 - 10amp
Power Cord	10amp plug & lead

**DIMENSIONAL DRAWING**



THE BEST PRICE CONTACT  
**WHOLESALES**  
 VISIT: [WWW.ONESTOPWHOLESALE.COM](http://WWW.ONESTOPWHOLESALE.COM)  
 PHONE: 1300 131 130